

SALES & ENGINEERING DATA

RATIO SERIES: **2:1**

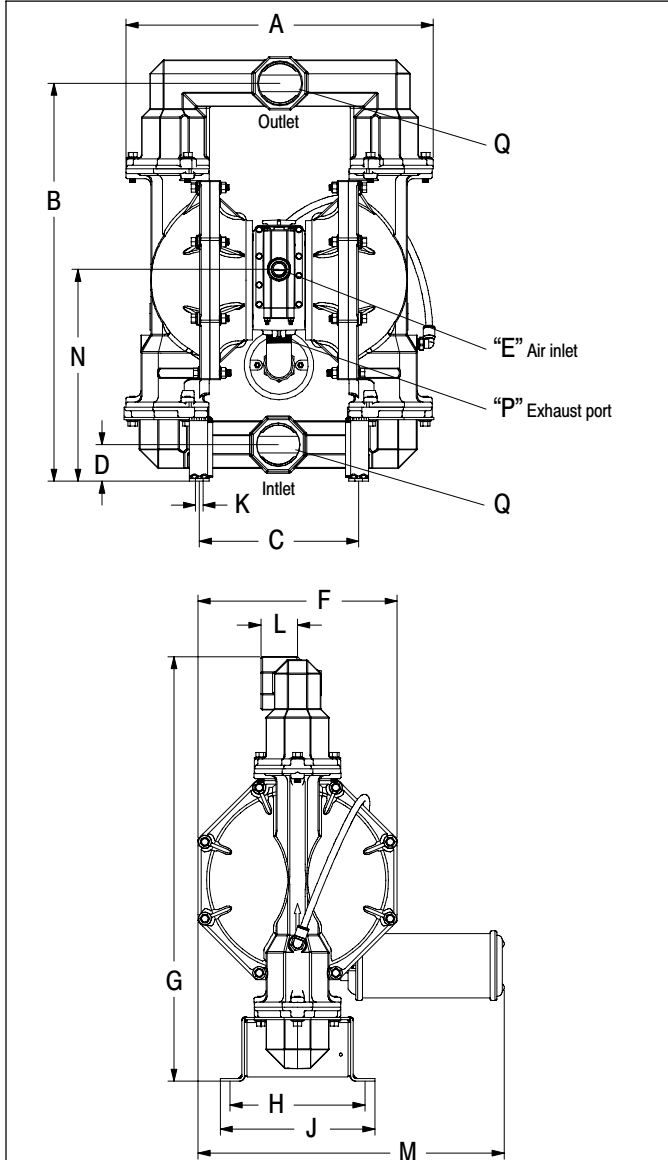
FLUID P.S.I. RANGE: **40 - 200**

670045 and 670045-1

3" METALLIC DIAPHRAGM PUMP

RELEASED: 3-2-06
 REVISED:
 (REV. 01) S-1378

DIMENSIONAL DATA



DIMENSIONS

A 23-1/8" (587.3 mm)	F 15" (381 mm)	L 2-3/4" (69.9 mm)
B 30" (761.7 mm)	G 32" (812.5 mm)	M 22-27/32" (580.0 mm)
C 12-1/32" (305.1 mm)	H 10-5/32" (258 mm)	N 15-31/32" (405.5 mm)
D 2-3/4" (69.9 mm)	J 11-21/32" (296.1 mm)	P 1-1/2 - 11-1/2 N.P.S.M.
E 3/4 - 14 N.P.T.	K 9/16" (14.3 mm)	Q (see below)

"Q" Inlet / Outlet
 670045 3 - 8 N.P.T.F. - 1
 670045-1 Rp 3 (3 - 11 BSP parallel)

NOTE: Dimensions are shown in inches and (mm), supplied for reference only and are typically rounded up to the nearest 1/16 inch.

SPECIFICATIONS

CONSTRUCTION

Model Series	670045-X
Pump Type	Metallic, Air Operated, Double Diaphragm
Ratio	2:1
Material Inlet / Outlet (female)	
670045	3 - 8 N.P.T.F. - 1
670045-1	Rp 3 (3 - 11 BSP parallel)
Air Inlet (female)	3/4 - 14 N.P.T.
Air Exhaust (female)	1-1/2 - 11-1/2 N.P.S.M.
Weight	268 lbs (121.6 kgs)
Air Section Service Kit	637369
Fluid Section Service Kit	637441

PERFORMANCE

Air Inlet Pressure Range	20 - 100 p.s.i. (1.4 - 6.9 bar)
Maximum Material Inlet Pressure	10 p.s.i. (0.69 bar)
Fluid Outlet Pressure Range	40 - 200 p.s.i. (2.8 - 13.8 bar)
Maximum Flow Rate	150 g.p.m. (567.8 l.p.m.)
flooded inlet	160 g.p.m. (605.6 l.p.m.)
Maximum Particle Size	3/8" dia. (9.5 mm)
Maximum Temperature Limits (diaphragm / ball / seal material)	
Nitrile	10° to 180° F (-12° to 82° C)
Polypropylene	35° to 150° F (2° to 66° C)
Santoprene®	-40° to 225° F (-40° to 107° C)
Viton®	-40° to 350° F (-40° to 177° C)
Displacement / Cycle @ 100 p.s.i.	1.4 gal. (5.3 lit.)
Noise Level @ 70 p.s.i. - 50 c.p.m.①	83.0 db(A)②

Notes:

- ① Tested with 67263 muffler assembly installed.
- ② The pump sound pressure level has been updated to an Equivalent Continuous Sound Level (L_{Aeq}) to meet the intent of ANSI S1. 13-1971, CAGI-PNEUROP S5.1 using four microphone locations.

ACCESSORIES:

- 66109 Air Line Connection Kit
- 94117 Int. Muffler

• Viton® is a trademark of the DuPont Company
 • Santoprene® is a registered trademark of Monsanto Company, licensed to Advanced Elastomer Systems, L.P.

PERFORMANCE CURVES

670045-X 3" METALLIC DIAPHRAGM PUMP

