

# SALES & ENGINEERING DATA

RATIO SERIES: **1:1**

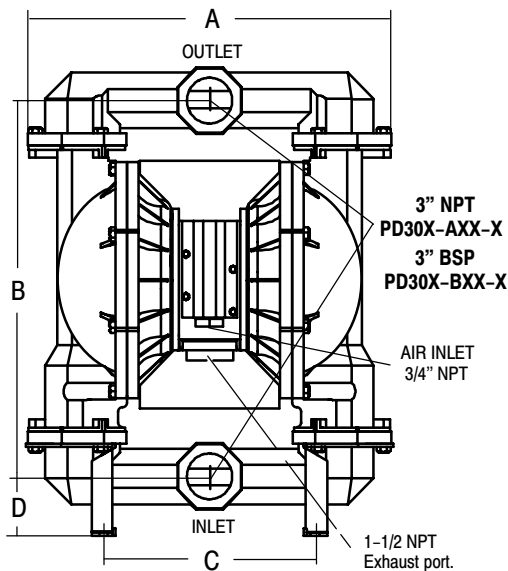
FLUID PSI RANGE: **20 - 120**

PD30X-XXX-XXX

3" METALLIC DIAPHRAGM PUMP

RELEASED: 8-30-96  
REVISED: S-859

## DIMENSIONAL DATA



DIMENSIONS			
A	23-5/8 (600)	E	17-11/16 (450)
B	23-3/8 (594)	F	15 (381)
C	13 (330)	G	29-5/16 (744)
D	3-13/16 (97)	H	12 (305)
		J	13-1/2 (343)
		K	9/16 (14)

NOTE: Dimensions are shown in inches and (mm), supplied for reference only and are typically rounded up to the nearest 1/16 inch.

## SPECIFICATIONS

### CONSTRUCTION

Model Series	PD30X-XXX-XXX
Pump Type	Metallic, Air Operated, Double Diaphragm
Ratio	1:1
Material Inlet / Outlet	3" NPT(f) or BSP (f)
Air Inlet	3/4" NPTF-1(f)
Air Exhaust	1-1/2" NPTF-1(f)
Weight	Aluminum - 110 Lbs (50 Kgs) Cast Iron - 190 Lbs (86 Kgs) S'Stl - 195 Lbs (88 Kgs) (add 40 Lbs (18Kgs) for S'Stl Air Motor Section)
Air Section Service Kit	637302
Fluid Section Service Kit	637303-XX

PD30X-XXX- X    
637303 -    
Diaphragm Material  
Ball Material

EXAMPLE: Model #PD30A-AAP-AAA  
Fluid Section Service Kit is 637303-AA

### PERFORMANCE

Air Inlet Pressure Range	20 - 120 PSI (1 - 8.3 bar)
Fluid Pressure Range	20 - 120 PSI (1 - 8.3 bar)
Max. Flow Rate (Flooded Inlet)	275 g.p.m. (1,041 lpm)
Max. Particle Size	3/8" dia. (9.5mm)
Max. Temperature Limits	200°F (93°C)
Displacement / Cycle @ 100 psi	2.8 Gal (10.6 lpm)
Noise Level @ 70 Psi - 50 Cpm	83.0 db(A)②

#### Notes:

① Tested with 94085 Muffler Asm. installed.

② The pump sound pressure level has been updated to an Equivalent Continuous Sound Level (L<sub>Aeq</sub>) to meet the intent of ANSI S1. 13-1971, CAGI-PNEUROP S5.1 using four microphone locations.

#### ACCESSORIES:

66109 Air line Connection Kit  
94085 Cont. Muffler  
94117 Int. Muffler

**ARO**

INGERSOLL-RAND COMPANY  
ONE ARO CENTER • BRYAN, OHIO 43506-0151

☎ (419) 636-4242 • FAX (419) 636-2115

©1996 • PRINTED IN U.S.A.

**INGERSOLL-RAND**  
**FLUID PRODUCTS**

# PERFORMANCE CURVES

## PD30X-XXX-XXX 3" METALLIC DIAPHRAGM PUMP

